

M12 male 90° 8p. shielded with cable EN

TPE 4x2x24AWG SF/UTP CAT5e bu UL/CSA, CM 10m

USA

Ethernet CAT5

Male 90°

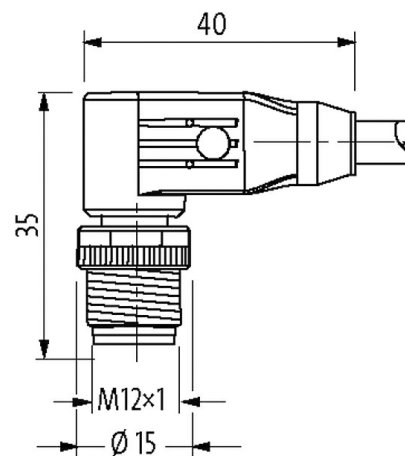
M12, 8-pole

with cable sleeves

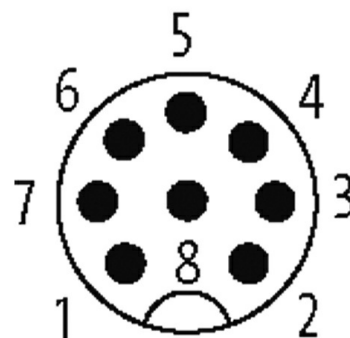
Plastic housings with good resistance against chemicals and oils.

The resistance to aggressive media should be individually tested for your application. Further details on request.

Further cable lengths on request.

[Link to Product](#)**Illustration**

Male



Product may differ from Image

Approvals

The information in this brochure has been compiled with the utmost care.

Liability for the correctness completeness and topicality of the information is restricted to gross negligence. Version: 11/20



* only for products with UL/CSA approved cable

More Info

EtherNet/IP

Form

Form 17561

General data

| | |
|-------------------|--|
| Standards | DIN EN 61076-2-101 (M12) |
| Mounting method | inserted, tightened |
| Pollution Degree | 2 |
| Temperature range | -25...+85 °C, depending on cable quality |

Cables

| | |
|---------------------------------|---|
| No./diameter of wires | 4 × 2 × 0.25 mm ² |
| Wire isolation | HDPE (whbl, bl, whor, or, whgn, gn, whbr, br) |
| C-track properties | 1 Mio. |
| Jacket Color | blue |
| Material (jacket) | TPE (UL/CSA) |
| Outer Ø | 7.6 mm ±5% |
| Bend radius (moving) | 10 × outer Ø |
| Temperature range (fixed) | -40...+80 °C |
| Temperature range (mobile) | -40...+80 °C |
| Cable identification | S4W |
| Cable weight [g/m] | 74,80 |
| Material (wire) | Cu wire, tin plated |
| Construction (core) | 7 × 0.203 mm |
| Diameter (core) | 4 × 2 × 0.25 mm ² |
| AWG | similar to AWG 24 |
| Material (wire isolation) | HDPE |
| Wire-Ø incl. isolation | 1.17 mm ±5% |
| Color/numbering of wires | (wh-bl, bl) + (wh-or, or) + (wh-gn, gn) + (wh-br, br) |
| Shield | yes |
| | min. 75% |
| Material (jacket) | TPE |
| Outer-Ø (jacket) | 7.6 mm ±5% |
| Color (jacket) | (wh-bl, bl) + (wh-or, or) + (wh-gn, gn) + (wh-br, br) |
| Temperature range (fixed) | -40...+80 °C |
| Temperature range (mobile) | -40...+80 °C |
| Bend radius (fixed) | 5 × outer Ø |
| No. of bending cycles (C-track) | max. 1 Mio. (25 °C) |
| Torsion stress | 3 Mio. |

Technical Data

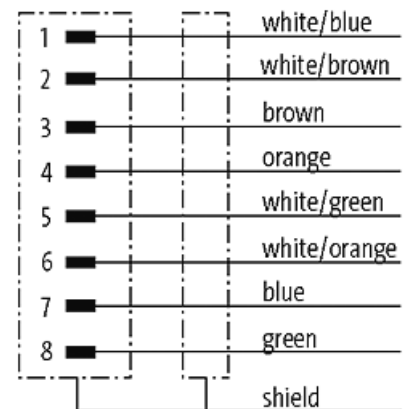
Operating voltage max. 60 V AC/DC

| | |
|---|--|
| Operating voltage (only UL listed) | max. 30 V AC/DC |
| Rated surge voltage | 0.8 kV |
| Operating current per contact | max. 2 A |
| Material group | IEC 60664-1, category I |
| No. of poles | 8 |
| Configuration | fully used |
| Transfer parameters | CAT5e (ANSI/TIA/EIA-568-B.2-2001), CAT5 Class D nach ISO/IEC 11801 |
| Transfer rate | 1 Gbit/s |
| Coding | A-coded |
| LED display | no |
| Locking of ports | Screw thread (M12×1 mm) recommended torque 0.6 Nm, self-securing |
| Compression gland | M12 (SW13) |
| Protection | IP65, IP66K, IP67 inserted and tightened (EN 60529) |
| Locking material | Zinc die casting, matte nickel plated |
| Material | PUR |
| suitable for corrugated tube (internal Ø) | without |

Commercial data

| | |
|-----------------------|---------------|
| country of origin | DE |
| customs tariff number | 85444290 |
| EAN | 4048879602365 |
| eClass | 27279218 |
| Packaging unit | 1 |

Sketch



Product may differ from Image